

**ONGA®**

## 400 SERIES

MOULDED WATER TRANSFER PUMPS  
CENTRIFUGAL PUMPS



400 Series



### FEATURES

High grade corrosion resistant materials.

Award winning high flow impeller.

Wide model selection.

Inbuilt thermal overload.

Max. head - 26m.

Max. flow - 270lpm.

### APPLICATIONS

- Domestic, industrial or rural water transfer pump.
- Typical uses include hose down, tank filling and general water transfer, hydroponics, sprinklers and garden watering.
- Large range of applications due to wide range of models available.

### PUMP INFORMATION

Horizontal, single-stage, surface mounted centrifugal pump with closed impeller for pumping debris free water coupled to a cool running Totally Enclosed Fan Cooled 2 pole motor with thermal overload protection.

### OPERATING CONDITIONS

Suitable for pumping clean non-aggressive liquids without solids or fibres in suspension.

Fluid:	Water.*
Maximum water temperature:	70°C.
Minimum water temperature:	1°C.
Maximum ambient temperature:	55°C.
Maximum working pressure:	410kPa.

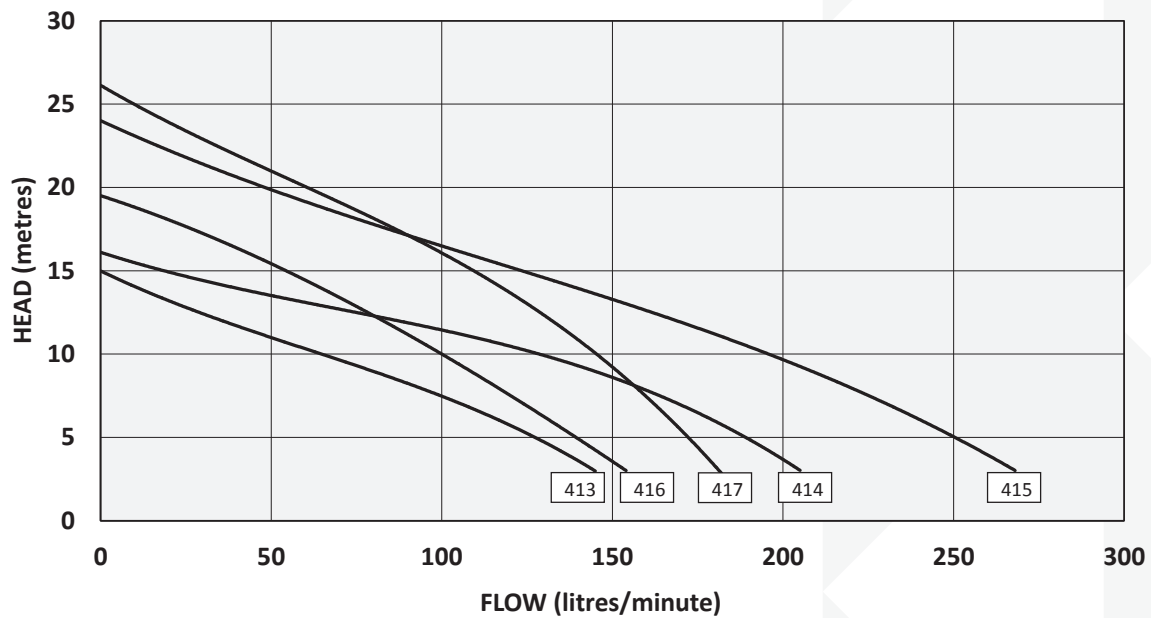
\*For liquids outside of this range please consult your local Onga office for product suitability.

## ELECTRICAL DATA

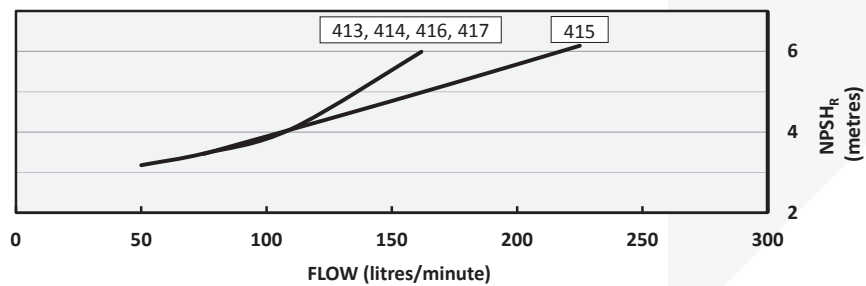
Type	Type of current	Voltage $\pm 10\%$	Frequency Hz	Motor rating kW		Nominal RPM	Current Ampere	Locked rotor current	Motor protection	Insulation class	IP rating
				P1	P2						
413	1-phase	230	50	0.4	0.375	2900	2.5 A	10 A	Auto	B	IPX5
414	1-phase	230	50	0.55	0.375	2900	2.5 A	10 A	Auto	B	IPX5
415	1-phase	230	50	0.75	0.7	2900	4.3 A	15 A	Auto	B	IPX5
416	1-phase	230	50	0.55	0.39	2900	2.6 A	10 A	Auto	B	IPX5
417	1-phase	230	50	0.75	0.67	2900	4.1 A	15 A	Auto	B	IPX5

## PERFORMANCE

Type	P/No	Delivery head [m]	4	8	12	16	20	24
413	341300	Capacity [litres per minute]	133	90	41	-	-	-
414	341400		198	156	89	6	-	-
415	341500		257	217	173	108	51	-
416	341600		143	116	87	44	-	-
417	341700		176	158	132	102	61	18



## NPSHR

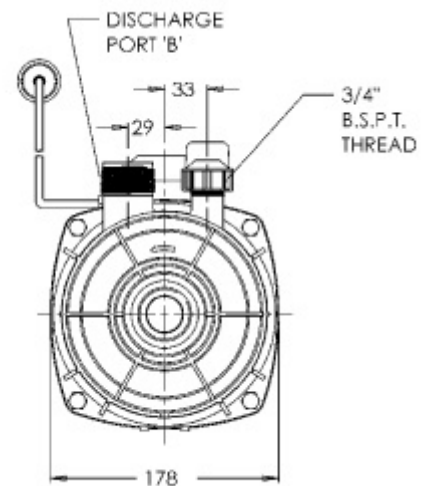
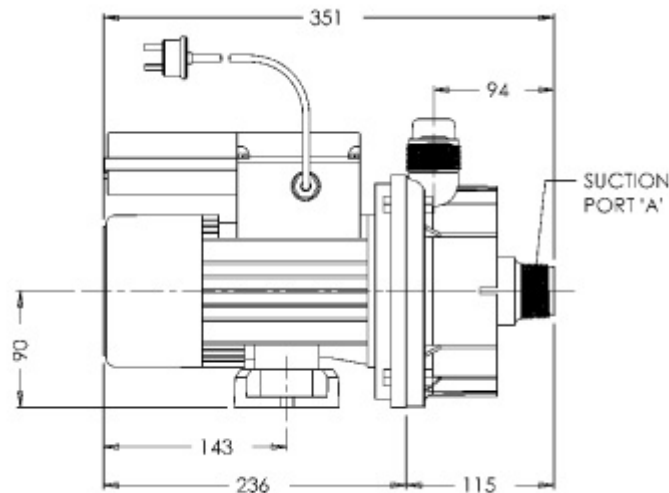


## PUMP CONSTRUCTION MATERIALS

Component	Material
Pump casing	20% Glass Filled ABS
Baffle	20% Glass Filled ABS
Priming cap	Polypropolene
Impeller	20% Glass Filled Polycarbonate
Diffuser	Noryl
Shaft sleeve	Nylon
Seal flexible bellows	Nitrile
Seal stationary face	Ceramic
Seal rotating face	Carbon
Seal spring	304 Stainless Steel
Motor shaft	Mild Steel
O'Rings	Nitrile

## DIMENSIONS

Type	Maximum L x W x H	Weight approx.	Inlet	Pump outlet	Carton L x W x H	Packed weight
413	351 x 178 x 225 mm	7.3 kg	1" BSP (male)	1" BSP (male)	375 x 190 x 275 mm	8.1kg
414	351 x 178 x 225 mm	8 kg	1¼" BSP (male)	1¼" BSP (male)	375 x 190 x 275 mm	9.6kg
415	351 x 178 x 225 mm	9.7 kg	1¼" BSP (male)	1¼" BSP (male)	375 x 190 x 275 mm	10.5kg
416	351 x 178 x 225 mm	8 kg	1" BSP (male)	1" BSP (male)	375 x 190 x 275 mm	9.6kg
417	351 x 178 x 225 mm	9.6 kg	1" BSP (male)	1" BSP (male)	375 x 190 x 275 mm	10.4kg



Head Office Pentair AU/NZ: 1-21 Monash Drive, Dandenong South, VIC 3175 , Australia. [www.pentair.com.au](http://www.pentair.com.au)

All Pentair trademarks and logos are owned by Pentair, Ltd. All other brand or product names are trademarks or registered marks of their respective owners. Because we are continuously improving our products and services, Pentair reserves the right to change specifications without prior notice.

Pentair is an equal opportunity employer.

ABN 27 004 856 204 © 2012 Pentair, Ltd. All Rights Reserved.

© 2015 Pentair