

# AQUARIUS

## Turbine Impulse Water Meters

### Characteristics

- ✓ Body = Protected cast brass body
- ✓ Dial = Large Dial with indelible digits
- ✓ Turbine = Non hydroscopic + antimagnetic
- ✓ Gears = precision cut gears for
- ✓ high sensitivity, accuracy and durability
- ✓ Stock Items = Impulses - see the table below
- ✓ Cable length supplied is 3 metres + Din plug
- ✓ Max Voltage is 24 VDC & Current is 50 mA

Impulse = Can be fitted with from 90 impulse per litre to 1 impulse per 500 litres, on INDENT ONLY.

### Turbine Impulse Meters



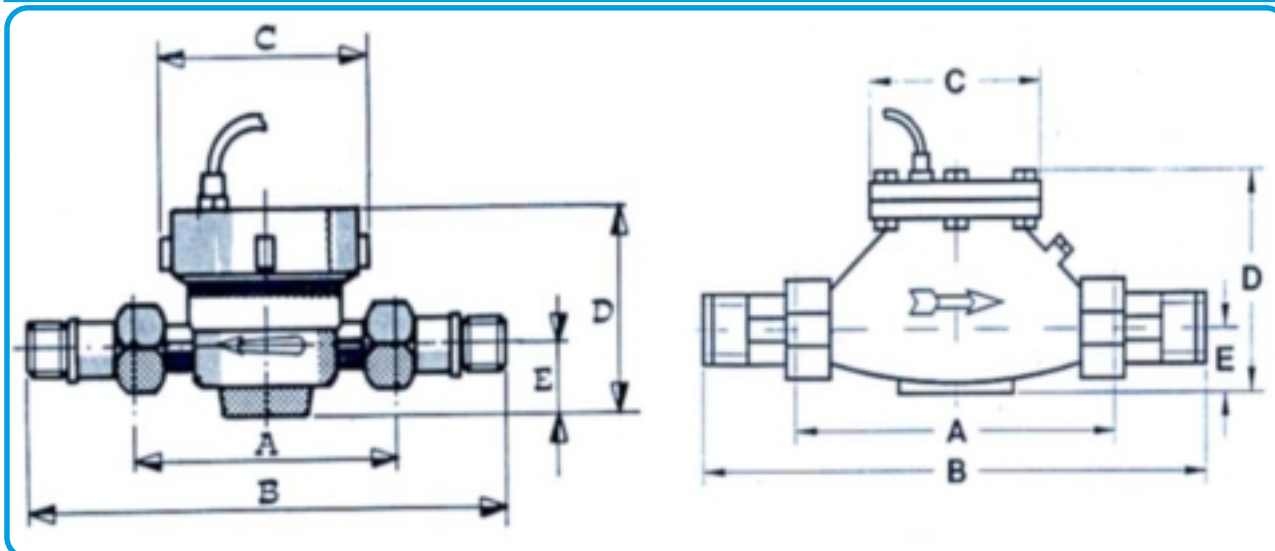
DCH Models for water temperatures up to 45 °C

HW Models for water temperatures up to 95 °C

TURBINE METERS - HYDRAULIC CHARACTERISTICS							
COLD WATER MODELS			*DCH201	DCH202	DCH203	DCH204	DCH205
Max. Operating Temperature	°C		45	45	45	45	45
HOT WATER MODELS			*HW201	HW202	HW203	HW204	*HW205
Max. Operating Temperature	°C		95	95	95	95	95
Nominal Size	mm.		*15	20	25	40	50
Maximum Working Pressure	kPa.		1000	1000	1000	1000	1000
Minimum Flow Sensitivity	lts/ hour		10	15	20	25	25
Min. Flow @ +/- 5% Acc.	lts/ hour		30	50	70	200	300
Min. Flow @ +/- 2% Acc.	lts/ hour		120	200	280	800	1200
Maximum Flow Rate	m <sup>3</sup> /hr		3	5	7	20	30
Flow @ 1 Bar Head loss	m <sup>3</sup> /hr		3	5	7	20	30
Nominal Flow Rate	m <sup>3</sup> /hr		1.5	2.5	3.5	10	15
Daily Max Flow Rate	m <sup>3</sup>		30	50	70	200	300
Minimum Reading	m <sup>3</sup>		1	1	1	1	1
Maximum Reading	m <sup>3</sup>		10 <sup>3</sup>	10 <sup>3</sup>	10 <sup>4</sup>	10 <sup>4</sup>	10 <sup>4</sup>
Pulses per Lt. - Stock Items	imp/lit		4	4	4	4	1

### ADVANCED TECHNOLOGY FOR THE NEW MILLENIUM

# Aquarius Turbine Impulse Water Meters



TURBINE METERS - DIMENSIONS						
COLD WATER MODELS		*DCH201	DCH202	DCH203	DCH204	DCH205
HOT WATER MODELS		*HW201	HW202	HW203	HW204	*HW205
Nominal Size	mm.	*15	20	25	40	50
Length without fittings	A mm	110	130	160	200	300
Length for fittings	B mm	190	228	260	340	450
Width	C mm	80	80	100	110	110
Height	D mm	110	110	132	137	140
Pipe Height	E mm	24	24	34	42	55
Weight with fittings	Kgs	1.05	1.25	2.23	3.15	5.0

